



# PROTOTYPICAL

## Sign Planogram: Portable Table Saws Bay Name: Portable Table Saws

EFFECTIVE:

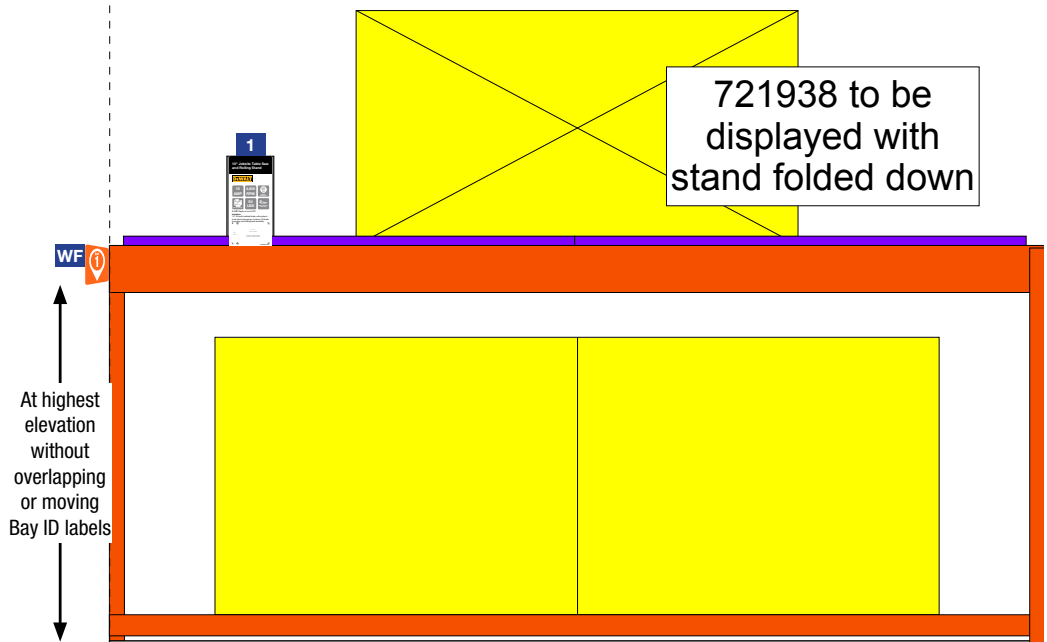
Feb 2, 2017

PAGE:

1 of 6



Bay photo for reference only. Refer to your store specific Merchandise POG for product placement.



**1**

**10" Jobsite Table Saw and Rolling Stand**

**DEWALT**

15 AMP    4,800 RPM    10" Blade Diameter

32-1/2" Rip Capacity    90 LBS    3 Year Limited Manufacturer Warranty

3-1/8" Depth of cut at 90°

**Includes:**  
10" 24-tooth carbide blade, rolling stand, push stick mitre gauge, rip fence, (2) blade wrenches and blade guard assembly

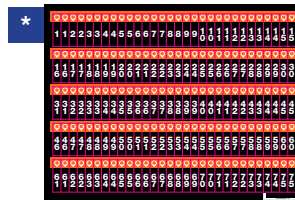
3" x 2" Price Label  
Article# 1000721938  
Model# DWE7491RS

D25063C-01



Wayfinding Clip

**WF** Wayfinding bay number must correspond to bay ID label



Sign Holder hardware shown above. Apply POP to hardware, if available.

### Instructions:

- [Beam Labels] Remove any old beam labels (if applicable) and place label on the fixture, beside product display
- [Wayfinding Violator] Install Wayfinding Violator using wayfinding clip as high as possible without overlapping, or having to move, the Bay ID labels
- [EZ Find Numbers] Apply EZ Find Numbers stickers to the lowboy label as indicated



**PROTOTYPICAL**

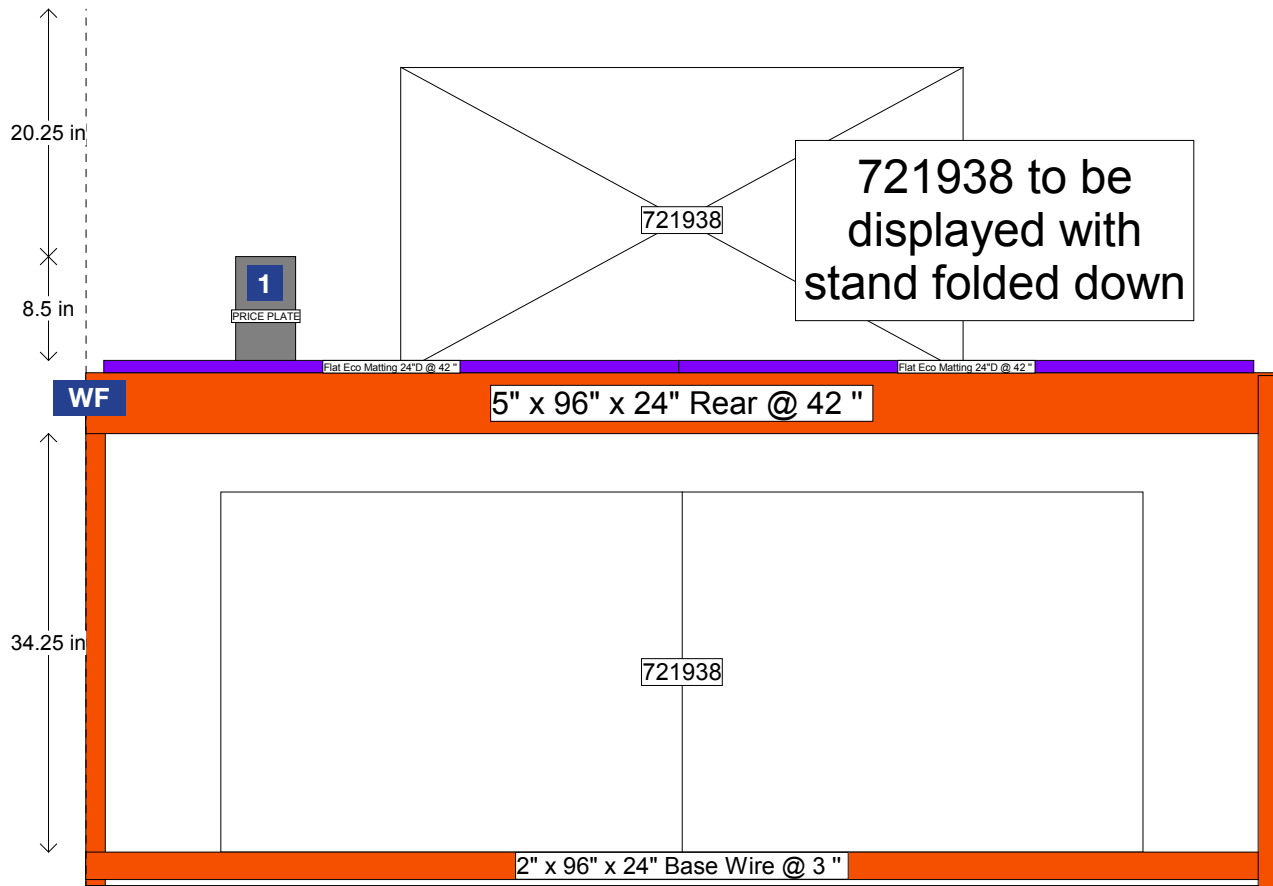
**Sign Planogram: Portable Table Saws  
Bay Name: Portable Table Saws**

**EFFECTIVE:**

Feb 2, 2017

**PAGE:**

2 of 6



**In Bay Signage Requirements**

Item #	Part #	Description	Quantity	HD Article #	Hardware Requirements	How to Order
1	D25063C-01	DeWalt 10" Jobsite Table Saw and Rolling Stand Hang Tag	1	1000721938	-	ePOP
**	HOMDEP10016	Benchtop Price Plate (Orange or Grey)	1	-	-	Ariba
WF	Varies by bay ID #	Wayfinding Violator	1	-	Wayfinding Clip	ePOP
-	124-300TESA	Wayfinding Clip	1	-	-	ePOP
*	EZFindNum1-75	EZ Find Numbers Bus Card 1-75	1	-	-	ePOP

Merchandising POG shown is for POP reference only and is not to be used to set product. Refer to your store specific Merchandise POG for product placement.



# PROTOTYPICAL

## Sign Planogram: Portable Table Saws Bay Name: Portable Table Saws

EFFECTIVE:

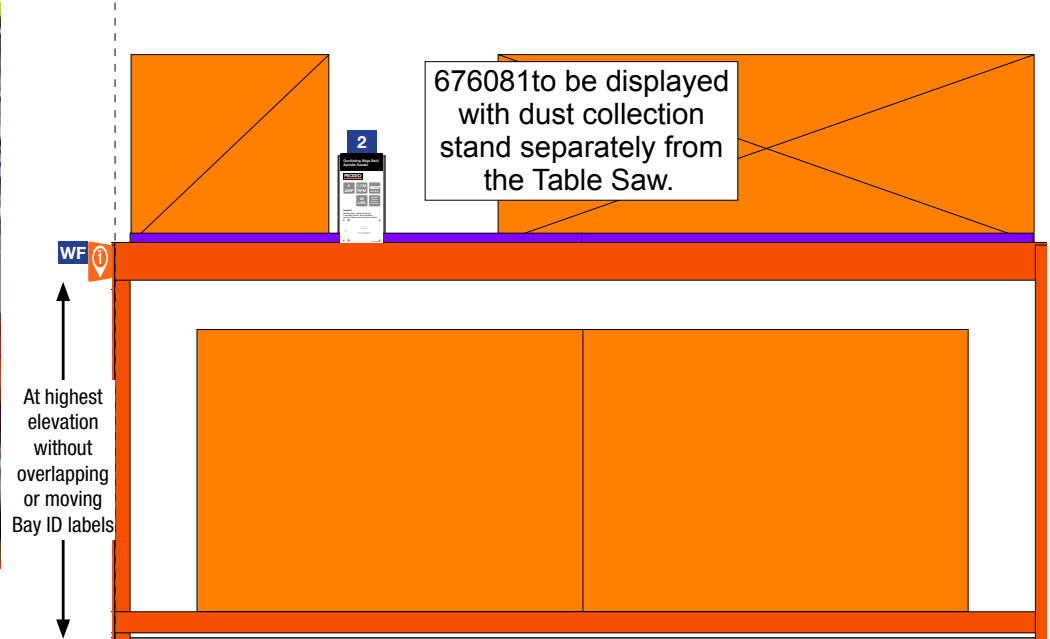
Feb 2, 2017

PAGE:

3 of 6



Bay photo for reference only. Refer to your store specific Merchandise POG for product placement.



**2**

**Oscillating Edge Belt/ Spindle Sander**

**RIDGID**

**5 AMP**   **1,725 RPM**   **4" x 24" Belt Size**

**40 LBS**   **RIDGID Lifetime Service Agreement**

**Includes:**  
Sanding belt, sanding sleeves,  
4 sanding drums, drum washers,  
hex key, table insert and throat plates

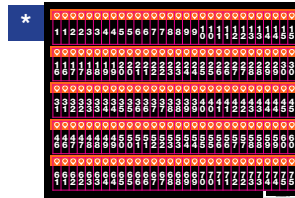
3" x 2" Price Label  
EZ Find   Article# 1000400488   Model# EB4424

D651160-01



Wayfinding Clip

**WF** Wayfinding bay number must correspond to bay ID label



Benchtop Price Plate shown above. Apply POP to hardware, if available.

### Instructions:

- [Beam Labels] Remove any old beam labels (if applicable) and place label on the fixture, beside product display
- [Wayfinding Violator] Install Wayfinding Violator using wayfinding clip as high as possible without overlapping, or having to move, the Bay ID labels
- [EZ Find Numbers] Apply EZ Find Numbers stickers to the lowboy label as indicated



**PROTOTYPICAL**

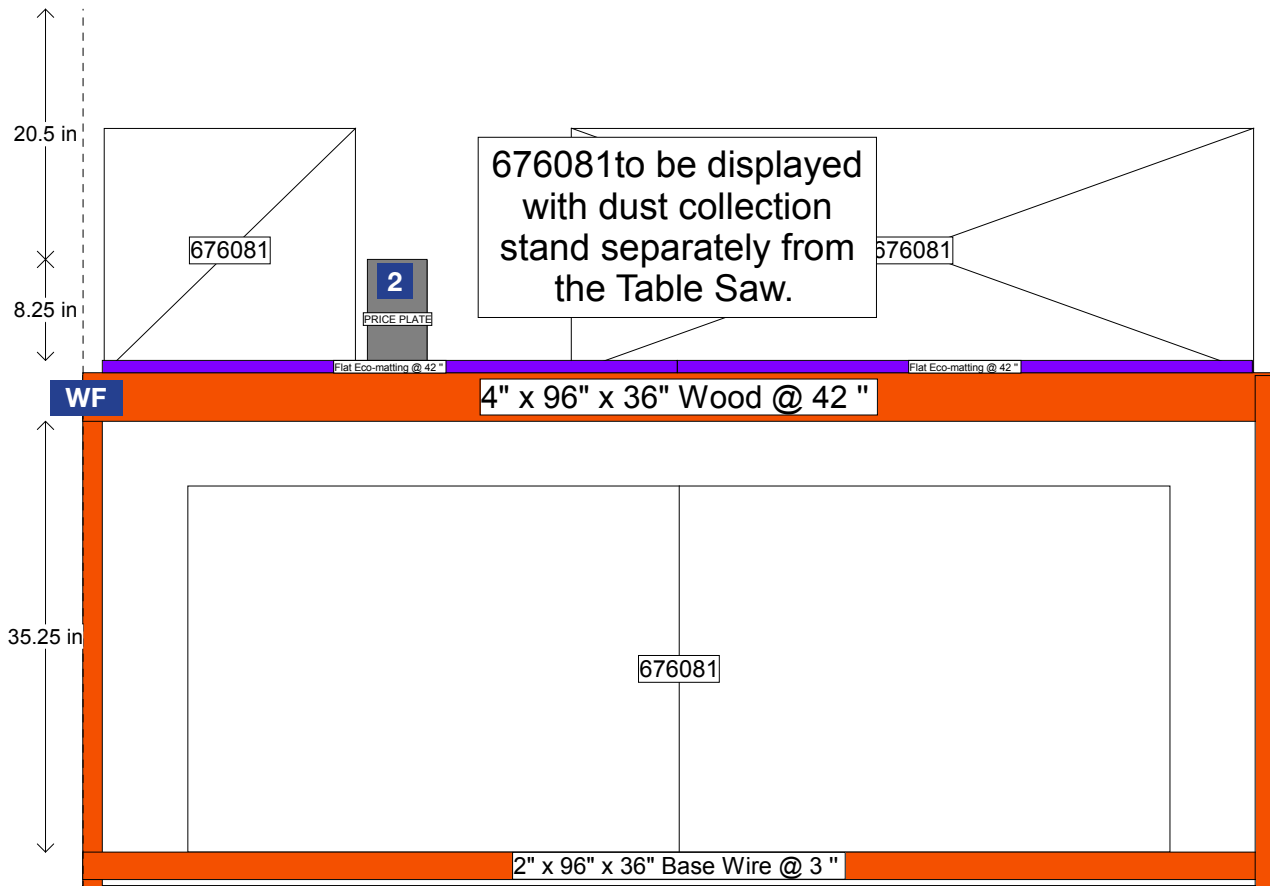
**Sign Planogram: Portable Table Saws  
Bay Name: Portable Table Saws**

**EFFECTIVE:**

Feb 2, 2017

**PAGE:**

4 of 6



**In Bay Signage Requirements**

Item #	Part #	Description	Quantity	HD Article #	Hardware Requirements	How to Order
2	D25116C-25	Ridgid Oscillating Edge Belt/Spindle Sander Hang Tag	1	1000676081	-	ePOP
**	HOMDEP10016	Benchtop Price Plate (Orange or Grey)	1	-	-	Ariba
WF	Varies by bay ID #	Wayfinding Violator	1	-	Wayfinding Clip	ePOP
-	124-300TESA	Wayfinding Clip	1	-	-	ePOP
*	EZFindNum1-75	EZ Find Numbers Bus Card 1-75	1	-	-	ePOP

Merchandising POG shown is for POP reference only and is not to be used to set product. Refer to your store specific Merchandise POG for product placement.



# PROTOTYPICAL

## Sign Planogram: Portable Table Saws Bay Name: Portable Table Saws

EFFECTIVE:

Feb 2, 2017

PAGE:

5 of 6

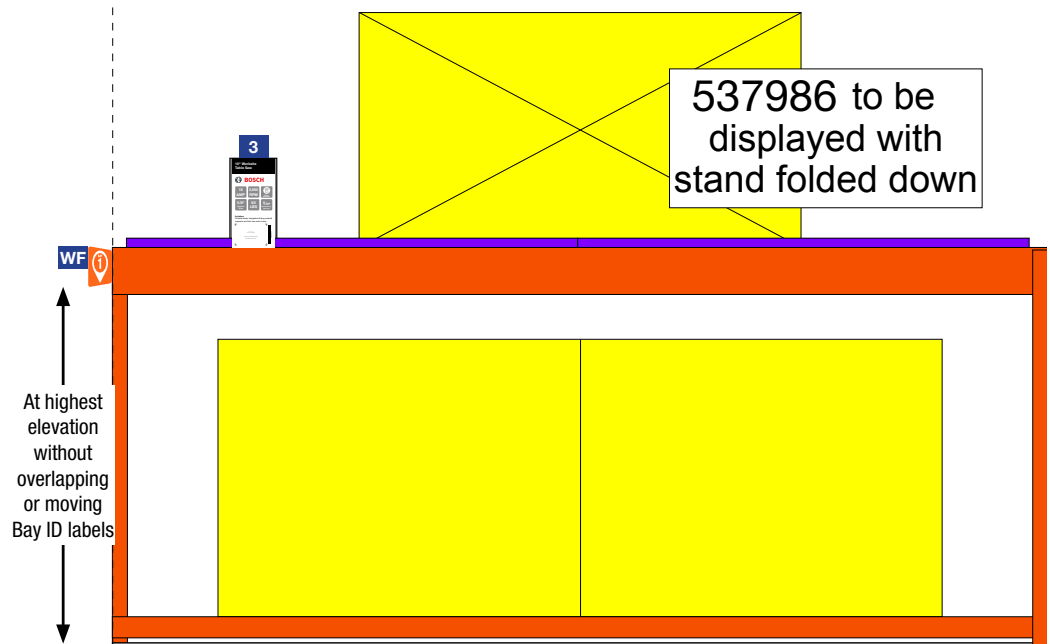
**3** 10" Worksite Table Saw

**15 AMP** **3,650 RPM** **10" Blade Diameter**

**5/8" Arbor Size** **60 LBS** **1 Year Limited Manufacturer Warranty**

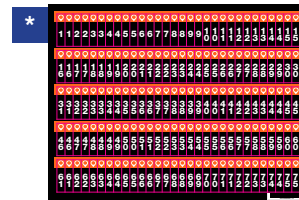
**Includes:**  
Carbide blade, integrated sliding material supports and tool less work clamp

3" x 2" Price Label  
Article# 1000537986  
Model# 4100-09



Wayfinding Clip

**WF** Wayfinding bay number must correspond to bay ID label



Sign Holder hardware shown above. Apply POP to hardware, if available.

### Instructions:

- [Beam Labels] Remove any old beam labels (if applicable) and place label on the fixture, beside product display
- [Wayfinding Violator] Install Wayfinding Violator using wayfinding clip as high as possible without overlapping, or having to move, the Bay ID labels
- [EZ Find Numbers] Apply EZ Find Numbers stickers to the lowboy label as indicated



**PROTOTYPICAL**

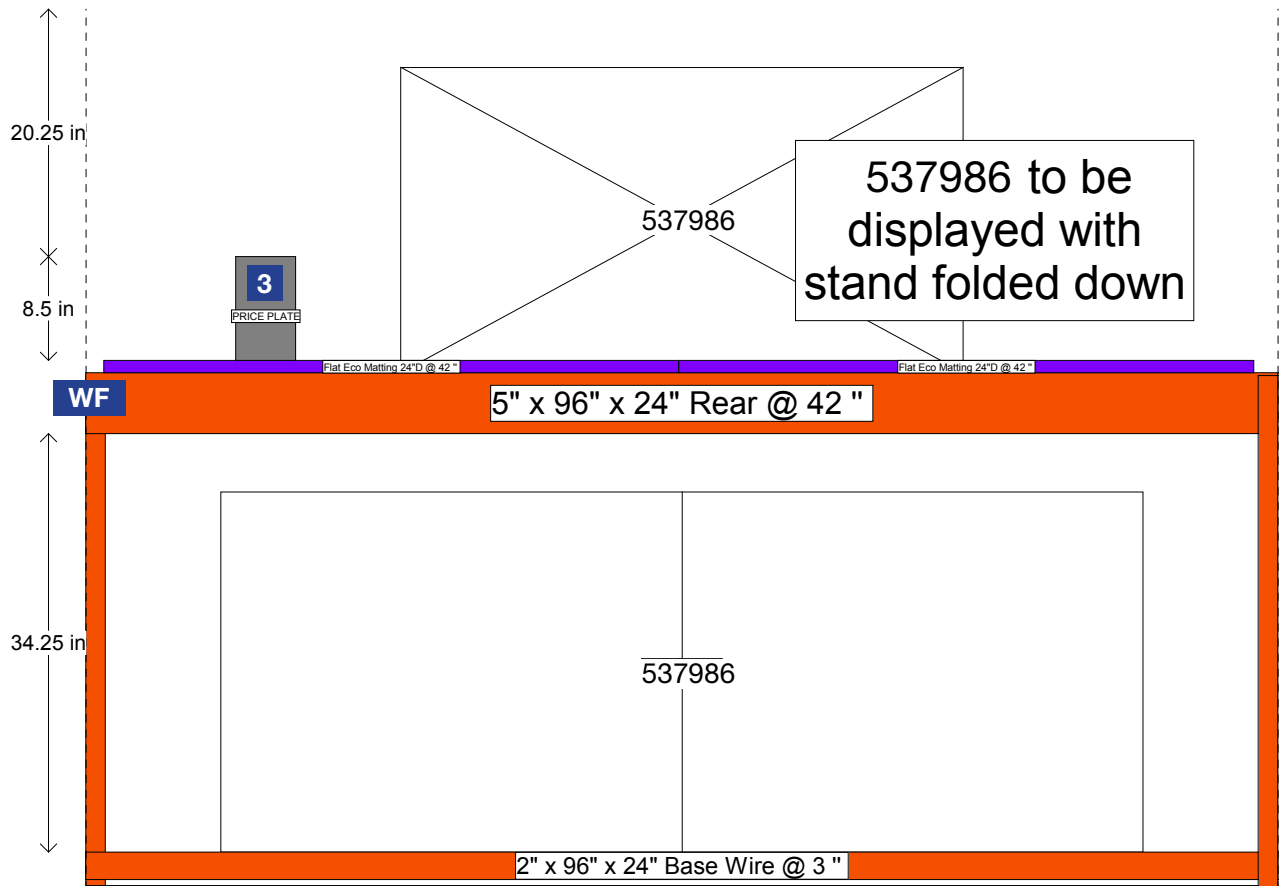
**Sign Planogram: Portable Table Saws  
Bay Name: Portable Table Saws**

**EFFECTIVE:**

Feb 2, 2017

**PAGE:**

6 of 6



**In Bay Signage Requirements**

Item #	Part #	Description	Quantity	HD Article #	Hardware Requirements	How to Order
3	D25062C-05	10" Worksite Table Saw	1	1000537986	-	ePOP
**	HOMDEP10016	Benchtop Price Plate (Orange or Grey)	1	-	-	Ariba
WF	Varies by bay ID #	Wayfinding Violator	1	-	Wayfinding Clip	ePOP
-	124-300TESA	Wayfinding Clip	1	-	-	ePOP
*	EZFindNum1-75	EZ Find Numbers Bus Card 1-75	1	-	-	ePOP

Merchandising POG shown is for POP reference only and is not to be used to set product. Refer to your store specific Merchandise POG for product placement.